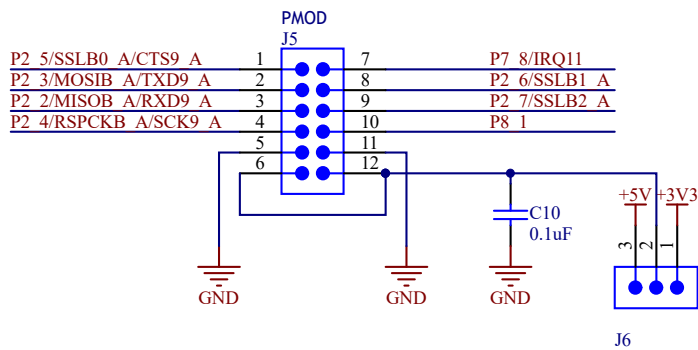
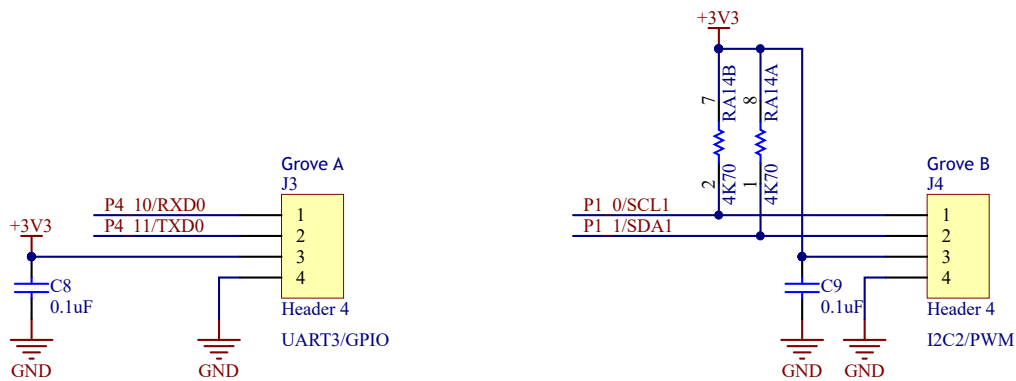
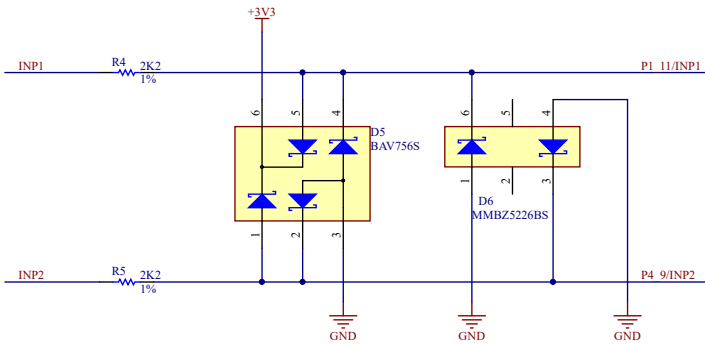
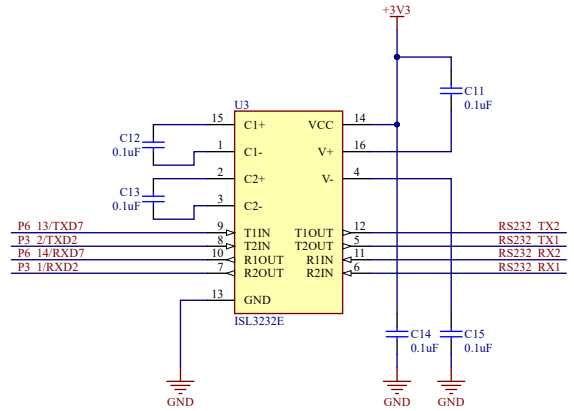
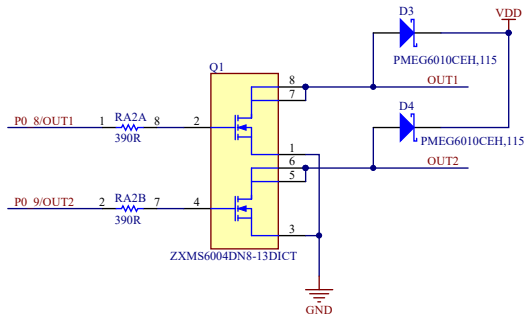
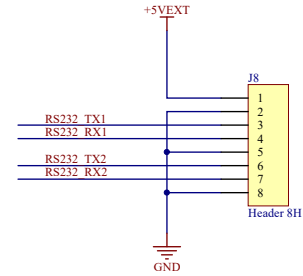
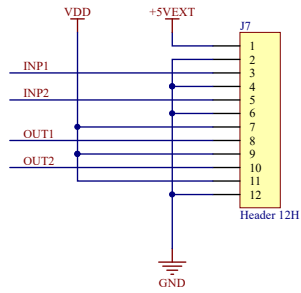


Title		Altium Limited L3, 12a Radborough Rd Frenchs Forest NSW	
Size: B	Number:	Revision:	
Date: 3/27/2017	Time: 10:15:44 AM	Sheet of	Australia 2086
File: D:\Work\SS Low Cost Module\Ethernet SchDoc			



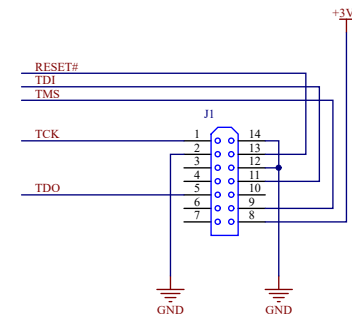
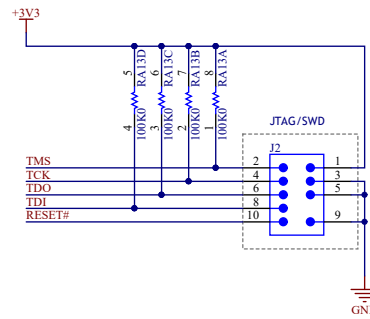
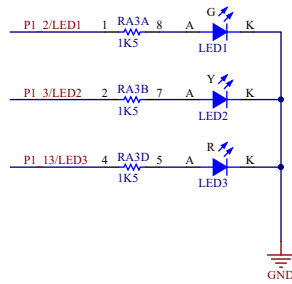
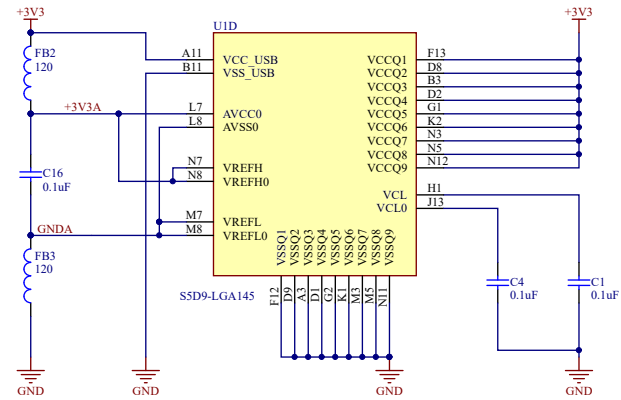
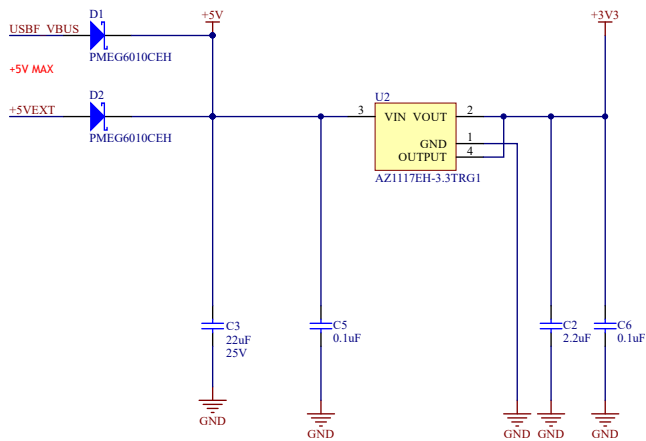


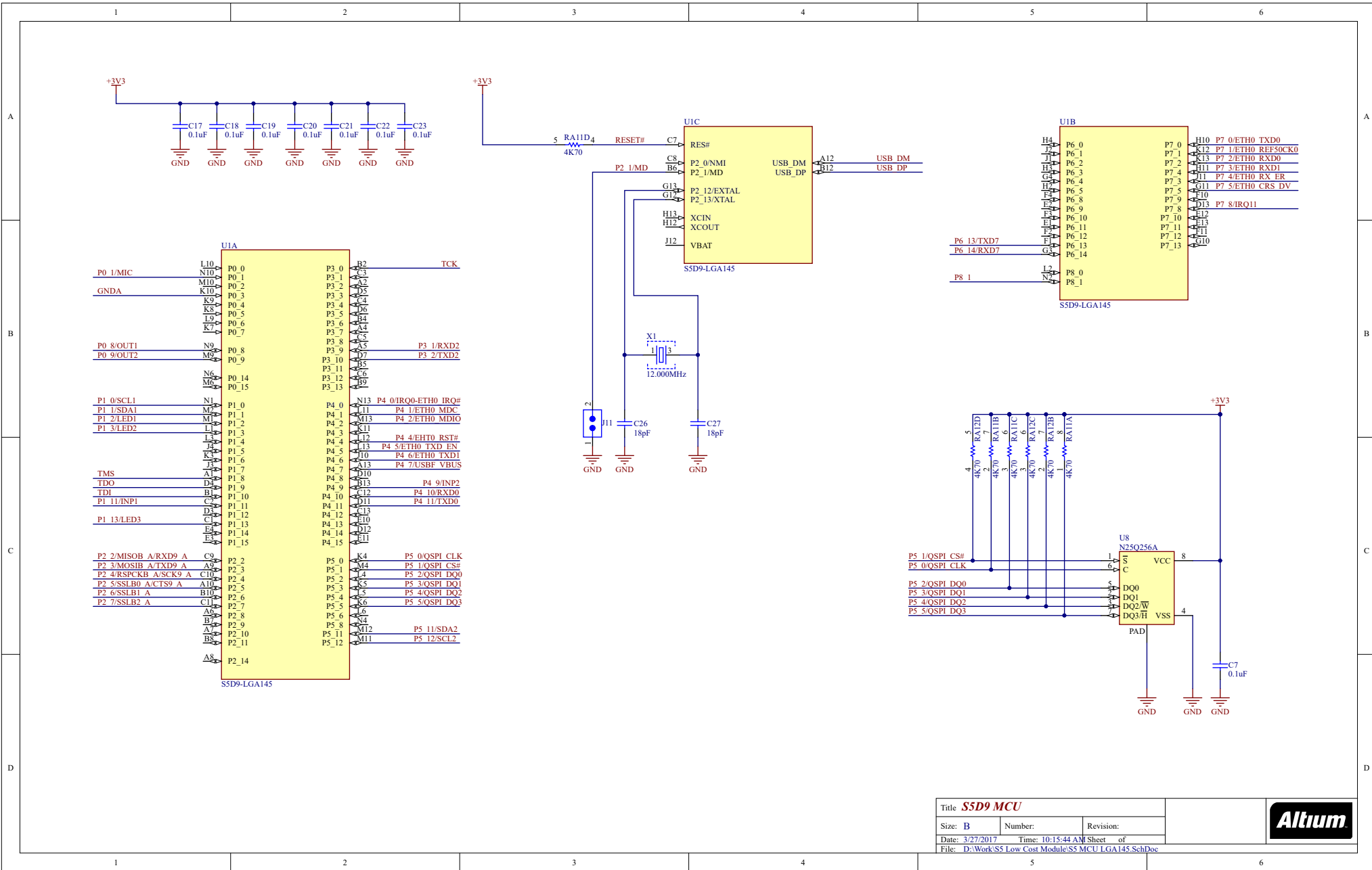
Title Grove Connectors			
Size: A	Number:	Revision:	
Date: 3/27/2017	Time: 10:15:44 AM Sheet of		
File: D:\Work\S5 Low Cost Module\Grove.SchDoc			

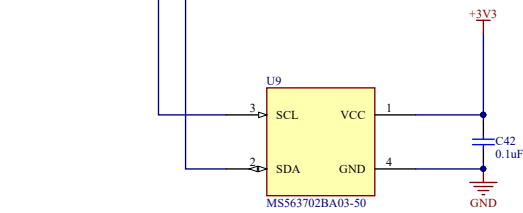
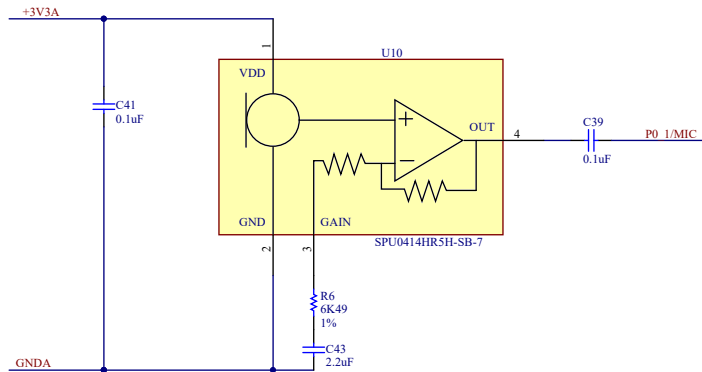
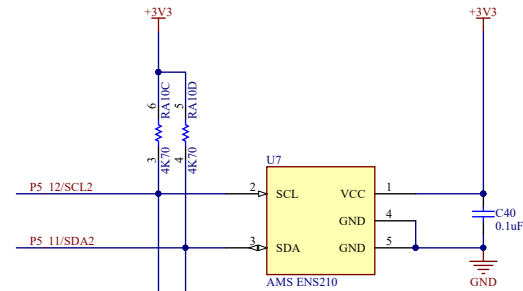
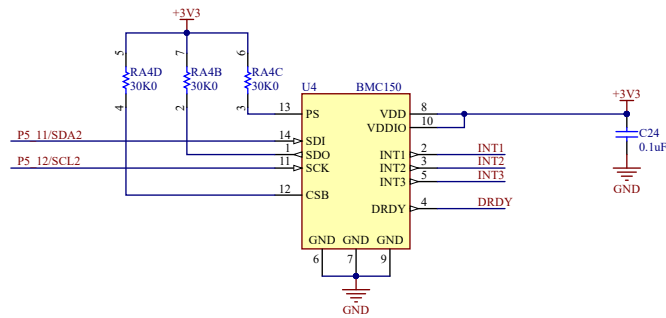


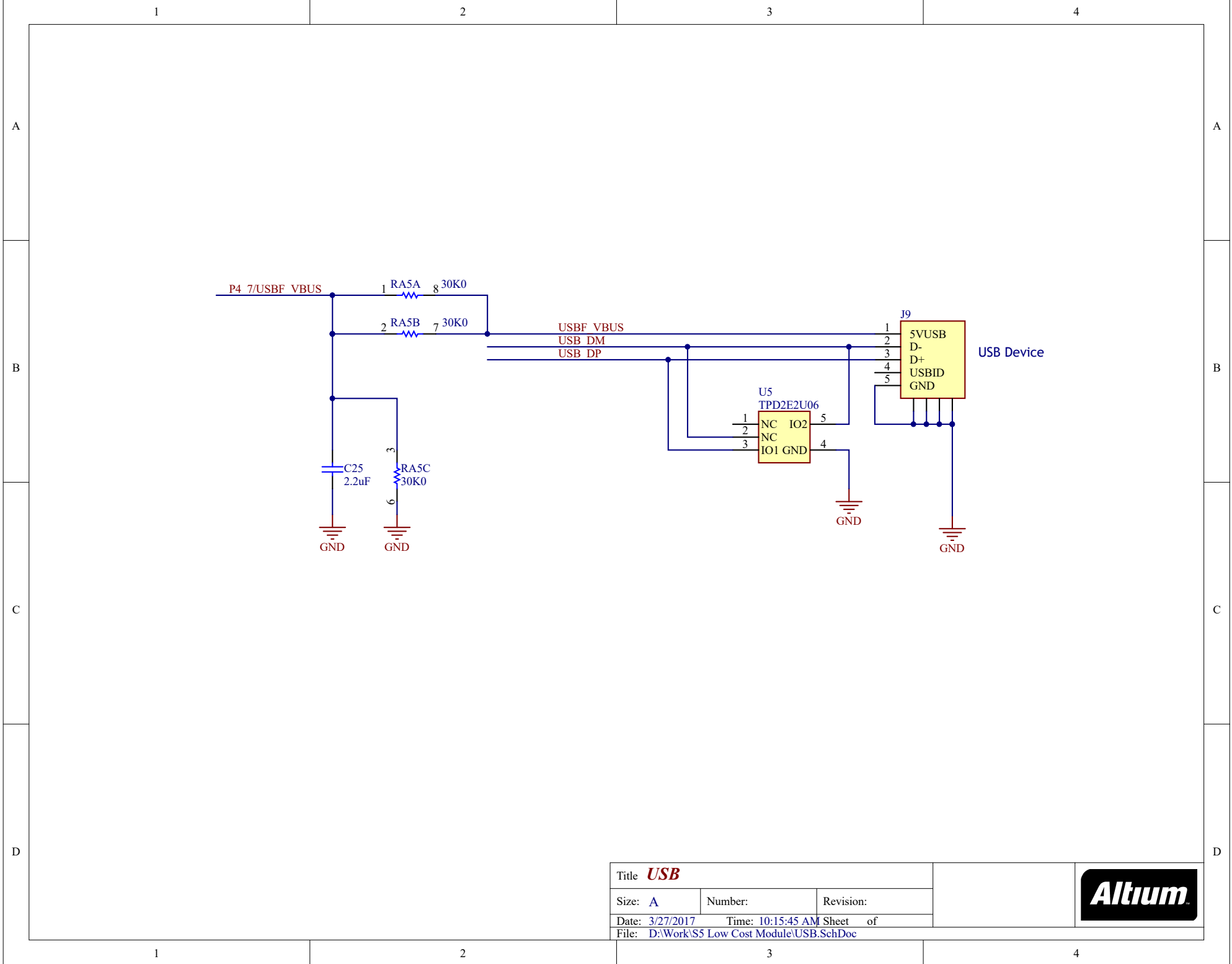
Title Interfaces		
Size: B	Number:	Revision:
Date: 3/27/2017	Time: 10:15:44 AM	Sheet of
File: D:\Work\SS Low Cost Module\Interfaces.SchDoc		











Title USB		
Size: A	Number:	Revision:
Date: 3/27/2017	Time: 10:15:45 AM	Sheet of
File: D:\Work\S5 Low Cost Module\USB.SchDoc		



